



Secure and Safe

Fire Alarm and Security Systems

www.se-ns.com



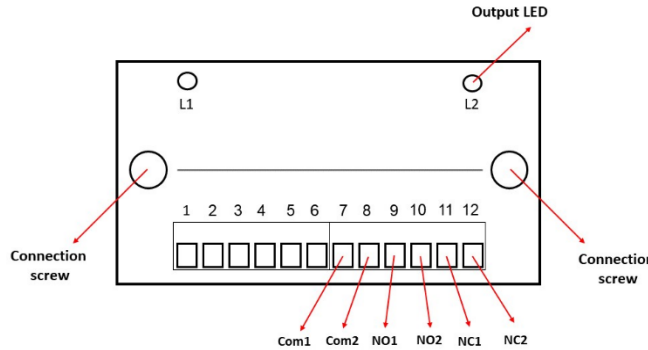
**Addressable Output Module
M1-AOM-300**

Introduction

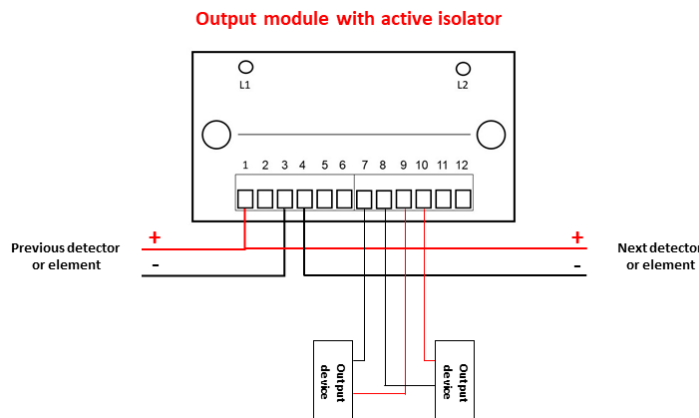
The addressable fire alarm output module M1-AOM-300, with loop-powered technology, connects to the addressable loop panel without requiring an external power supply. These modules are responsible for receiving commands from the addressable control center to non-addressable devices and are suitable for a wide range of applications such as elevator control, air conditioning systems, emergency sprinkler systems, entrance and exit door controllers, etc.

Installation and Wiring:

The output module terminals are shown in the figure below:



1. Choose a suitable place for installing the output module.
 2. Use the two screws to install the module on the wall.
 3. Connect the output wires to the NO and COM or NC and COM pins of the output module according to the application.
 4. Connect the loop inputs and outputs with the correct polarity, as shown below. (If the isolator is considered active, the negative input and output wires should be connected to the separate negative connectors. otherwise, the negative wires could be connected to the same negative connector.)
- Note that the modules cannot be used for both input and output at the same time, and the product label specifies whether it is for input or output.
 - For the Normally Open wiring use the NO and COM contacts and for the Normally Close circuits use NC and COM.



Testing

- Address the output module M1-AOM-300 using the SENS handheld programmer.
- Connect the module to the SENS addressable panel loop.
- Power on the addressable control panel and add the module in the setting menu on the panel either automatically or manually.
- After the module is recognized by the control panel, the LED of the module will start flashing.
- Put the panel in fire mode.
- The module's LED will light up continuously, and the relay contact will change the state; COM and NO terminals will be connected. This state will remain until the panel is reset.

Operating Modes	
Normal	The LED is flashing.
Alarm	The LED is continuously lit.
Fault	The LED is continuously lit.

Technical Specifications

Design Standard	EN 54-18
Power Supply Voltage	27V
Stand-By Consumption	1mA @ 27V
Alarm State Current	1.6mA @ 27V
Output Relay	30V, 2A
Operating Temperature	-10 to 70 °C
Humidity	95% (without condensation)
Dimensions	20×55×90 mm
Weight	60 gr

Warranty

Make sure this device is only used with a compatible control panel and no destructive operations are performed on it otherwise, it will not be covered by the warranty. Products must be regularly inspected, serviced, and maintained to ensure proper functionality.

Troubleshooting

Troubleshooting and repairs for the output module must be done by the after-sales service department of SENS Company or by the authorized representative recommended by the company.

Addressable system zone diagram

