



Secure and Safe

Fire Alarm and Security Systems

www.se-ns.com



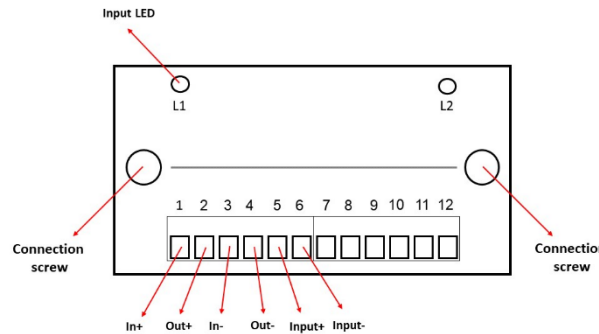
**Addressable Input Module
M1-AIM-350**

Introduction

The addressable fire alarm input module M1-AIM-350, with loop-powered feature, connects to the addressable loop panel without requiring an external power supply. These modules are responsible for sending commands from the non-addressable devices to addressable control panel and are suitable for a wide range of applications such as receiving information from conventional sensors, CO detectors, height and volume sensors related to liquids, etc.

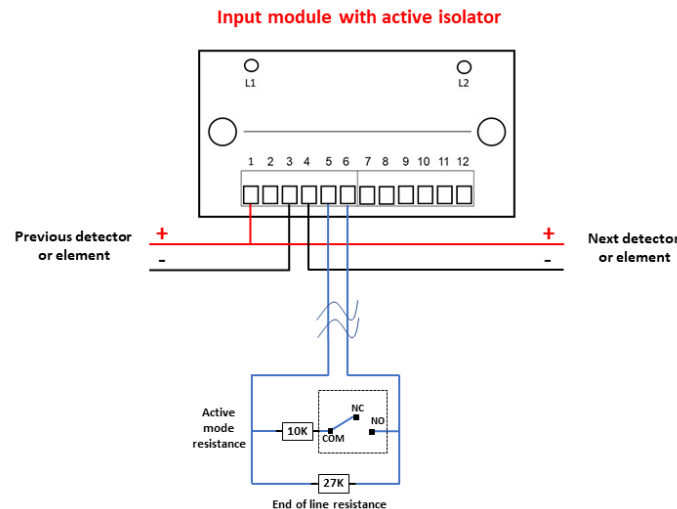
Installation and Wiring

The input module terminals are shown in the figure below:



1. Choose a suitable place for installing the input module.
2. Use the two screws in the product packaging to install the module on the wall.
3. Connect the wires related to the external input device to the input+ and input- pins in the input module.
4. Connect the loop wires considering the polarity as shown below. (If the isolator is considered active, the negative input and output wires should be connected to the separate negative connectors. otherwise, the negative wires could be connected to the same negative connector.)

➤ Note that the modules cannot be used for both input and output at the same time, and the product label specifies whether it is for input or output.



Testing

- Address the input module M1-AIM-350 using a handheld programmer.
- Connect the module to the SENS addressable panel loop.
- Power on the control panel, configure and add the module in the addressable control panel either automatically or manually from the settings section.
- After the module is recognized by the control panel, the LED of the module will start flashing.
- Connect the 10k ohm resistor in the pack, parallel to the end of line resistor. In this case, the panel should indicate a fire.
- A fault mode should appear if you either open the end of line resistor circuit or short the line on the panel.

Operating Modes	
Normal	The LED is flashing.
Alarm	The LED is continuously lit.
Fault	The LED is continuously lit.

Technical Specifications

Design Standard	EN 54-18
Power Supply Voltage	27V
Stand-By Consumption	1mA @ 27V
Alarm State Current	1.6mA @ 27V
Operating Temperature	-10 to 70 °C
Humidity	95% (without condensation)
Dimensions	20×55×90 mm
Weight	60gr

Warranty

Make sure this device is only used with a compatible control panel and no destructive operations are performed on it otherwise, it will not be covered by the warranty. Products must be regularly inspected, serviced, and maintained to ensure proper functionality.

Troubleshooting

Troubleshooting and repairs for the input module must be done by the after-sales service department of SENS Company or by the authorized representative recommended by the company.

Addressable system zone diagram

