



**Secure and Safe**

**Fire Alarm and Security Systems**

[www.se-ns.com](http://www.se-ns.com)



**Addressable Sounder**

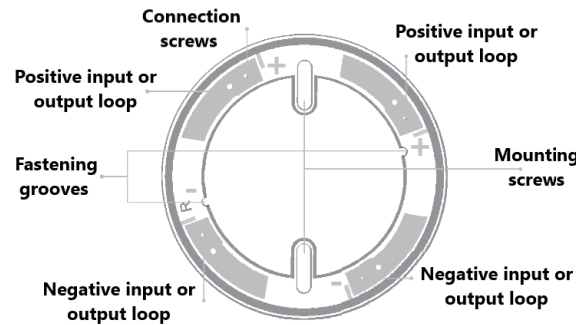
**F1-ASM-300**

### Introduction

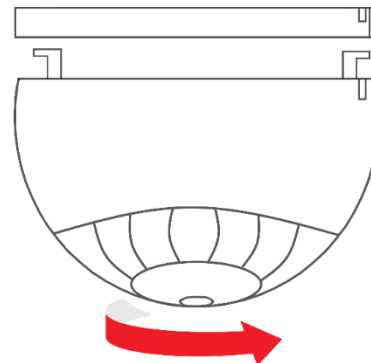
The F1-ASM-300 Addressable Sounder is designed to provide suitable sound for indoor environments, serving as an audio notifier for fire alarms and emergency situations in addressable fire alarm systems. According to the design of the F1-ASM-300 sounder frame, this product is suitable for wall and ceiling installation.

### Installation and Wiring

Different parts of the base are shown in the picture below:



- Choose a suitable place for installing the device.
- Route the wires for the addressable panel loop through the base.
- Mount the base to the wall using two screws.
- Connect the loop wires of the addressable panel to the metal terminals on the base according to their polarity. (If the isolator is considered active, the negative input and output wires should be connected to the separate negative connectors. otherwise, the negative wires could be connected to the same negative connector.)
- Place the addressable sounder body on the base in a way that the marking line on the body aligns with the marking line on the base.
- Rotate the body clockwise to lock it.



### Testing

- Address the F1-ASM-300 sounder using a handheld programmer.
- Connect the device to the SENS addressable control panel loop.
- Power on the control panel.
- Add the sounder to the control panel manually or automatically according to the panel manual.
- Put the panel into fire mode. If the sounder is not disabled in the panel settings, it will activate, producing sound. After clearing the fire condition and resetting the panel by the user, the sounder will inactivate.

### Warranty

Make sure this device is only used with a compatible control panel and no destructive operations are performed on it otherwise, it will not be covered by the warranty. Components must be regularly inspected, serviced, and maintained to ensure proper functionality.

### Troubleshooting

In case of any issues with the addressable sounder, troubleshooting and repair of the sounder must be done by the SENS company's after-sales service department, or an authorized representative recommended by the company.

### Technical Specifications

Design Standard	EN 54-3
Power Supply Voltage	27V
Stand-By Consumption	0.6mA at 27V
Alarm State Current	6mA at 27V
Operating Temperature	-10 to 70 °C
Humidity	95% (without condensation)
Type	Type A (For indoor use)
IP Protection	IP21
Sound Output	80dB @ 1m
Frequencies Range	600Hz - 4kHz
Sound Mode	Dual Tone
Dimensions	75×100 mm
Weight	150gr

# Addressable system zone diagram

