



Secure and Safe

Fire Alarm and Security Systems

www.se-ns.com



Addressable Sounder Flasher

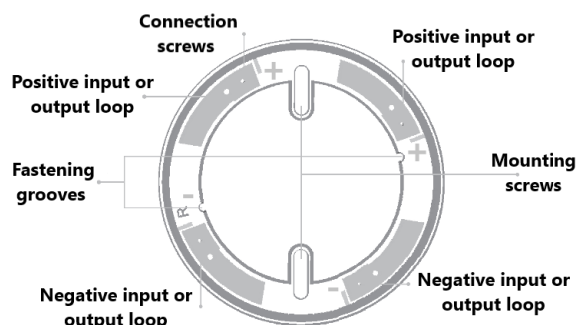
F1-ASF-300

Introduction

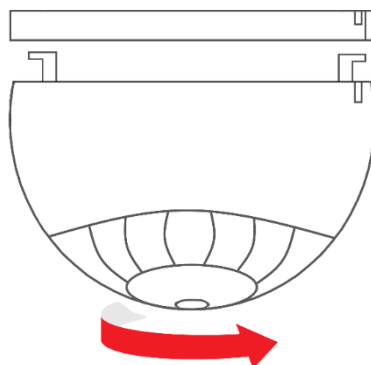
The F1-ASF-300 Addressable Sounder Flasher is designed to provide suitable sound and visual signals for indoor environments, serving as an audio and visual indicator for fire alarms and emergency situations in addressable fire alarm systems. According to the design of the F1-ASF-300 sounder frame, this product is suitable for wall and ceiling installation.

Installation and Wiring

Different parts of the base are shown in the picture below:



- Choose a suitable place for installing the device.
- Route the wires for the addressable panel loop through the base.
- Mount the base to the wall using two screws.
- Connect the outgoing wires from the addressable sounder flasher panel to the metal terminals on the base, considering their polarity. (If the isolator is considered active, the negative input and output wires should be connected to the separate negative connectors. otherwise, the negative wires could be connected to the same negative connector.)
- Place the addressable sounder flasher body on the base in a way that the marking line on the body aligns with the marking line on the base.
- Rotate the body clockwise to lock it.



Testing

- Address the F1-ASF-300 sounder flasher using a handheld programmer.
- Connect the device to the SENS addressable control panel loop.
- Power on the control panel.
- Add the sounder-flasher to the control panel manually or automatically according to the panel manual.
- Put the panel into fire mode. If the sounder flasher is not disabled in the panel settings, it will activate, producing sound and lighting up its LED. After clearing the fire condition and resetting the panel by the user, the sounder flasher will inactivate.

Warranty

Make sure this device is only used with a compatible control panel and no destructive operations are performed on it otherwise, it will not be covered by the warranty. Products must be regularly inspected, serviced, and maintained to ensure proper functionality.

Troubleshooting

In case of any issues with the addressable sounder-flasher, troubleshooting and repair of it must be done by the SENS company's after-sales service department, or an authorized representative recommended by the company.

Technical Specifications

Design Standard	EN 54-3
Power Supply Voltage	27 V
Stand By Consumption	0.6mA at 27V
Alarm State Current	6.4mA at 27V
Operating Temperature	-10 to 70 °C
Humidity	95% (without condensation)
Type	Type A (For indoor use)
IP Protection	IP21
Sound Output	80 dB @ 1m
Frequencies Range	600Hz - 4kHz
Sound Mode	Dual Tone
Dimensions	75×100 mm
Weight	150 gr

Addressable system zone diagram

